

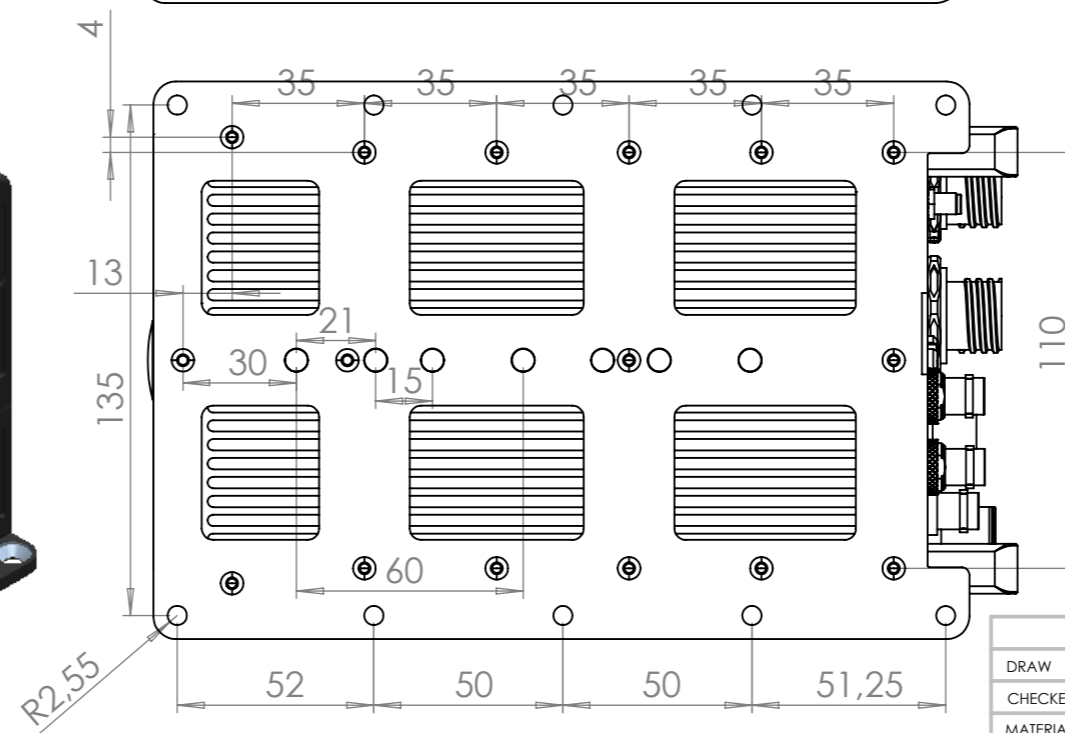
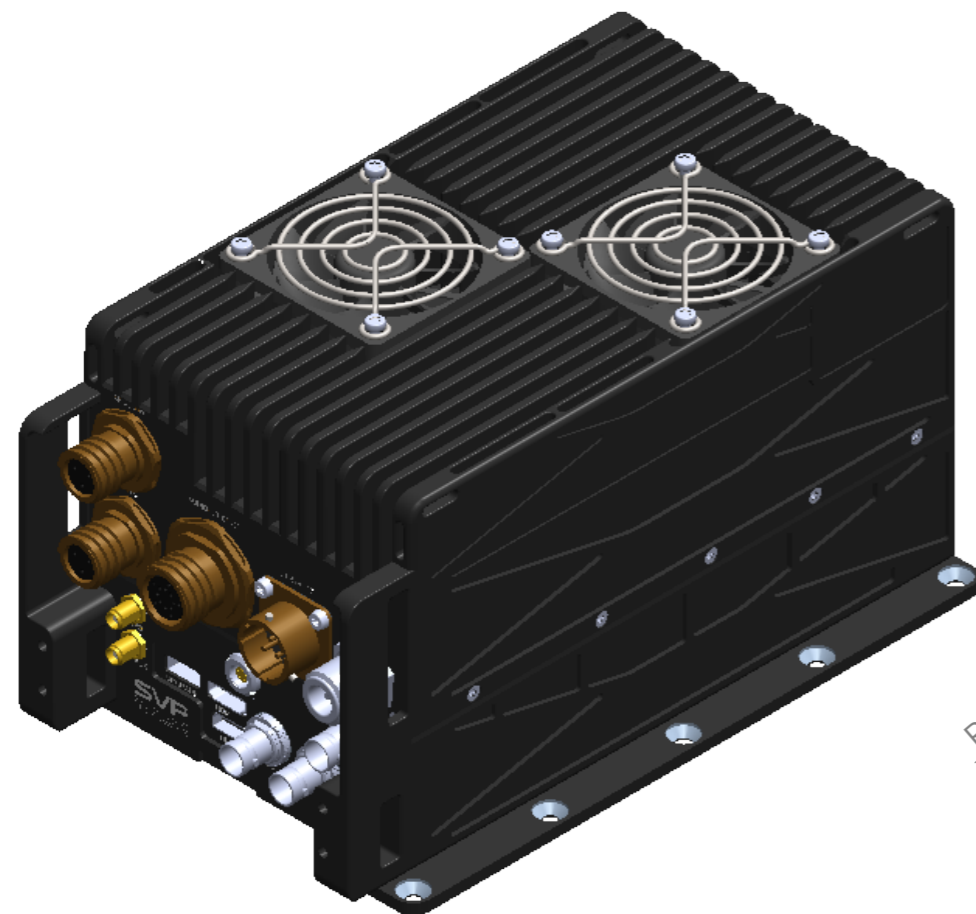
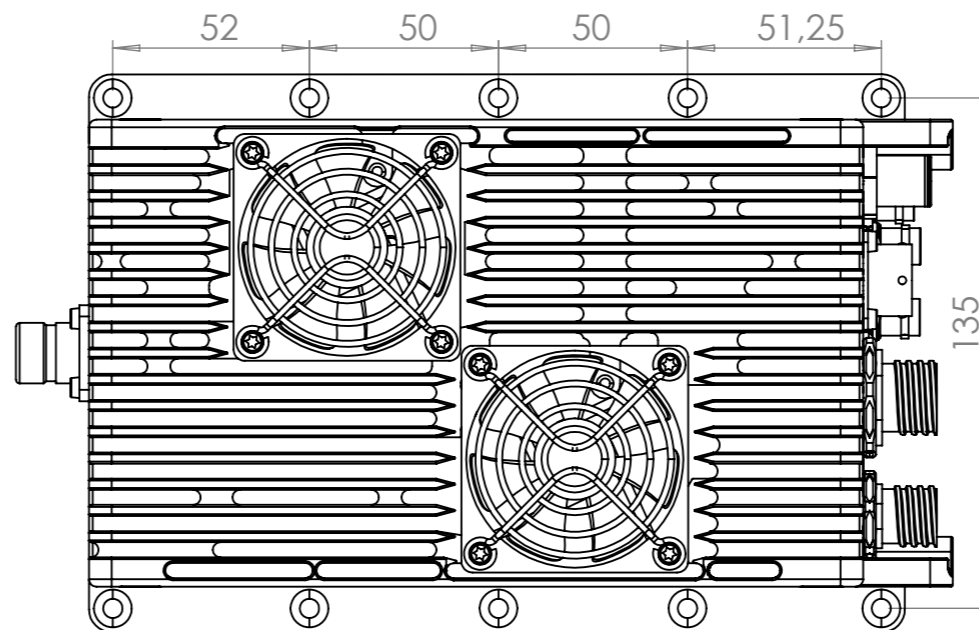
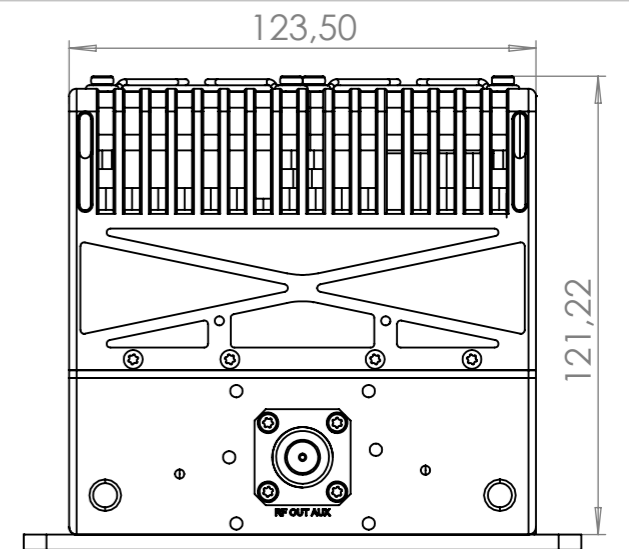
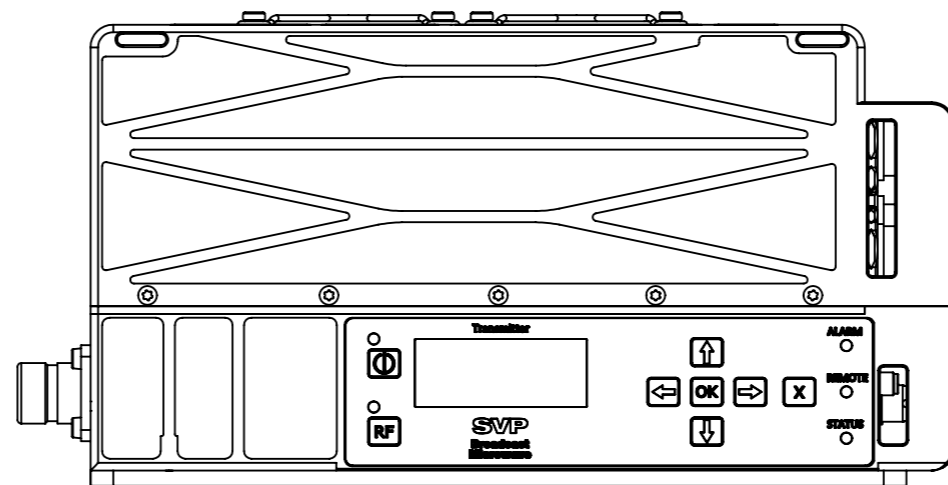
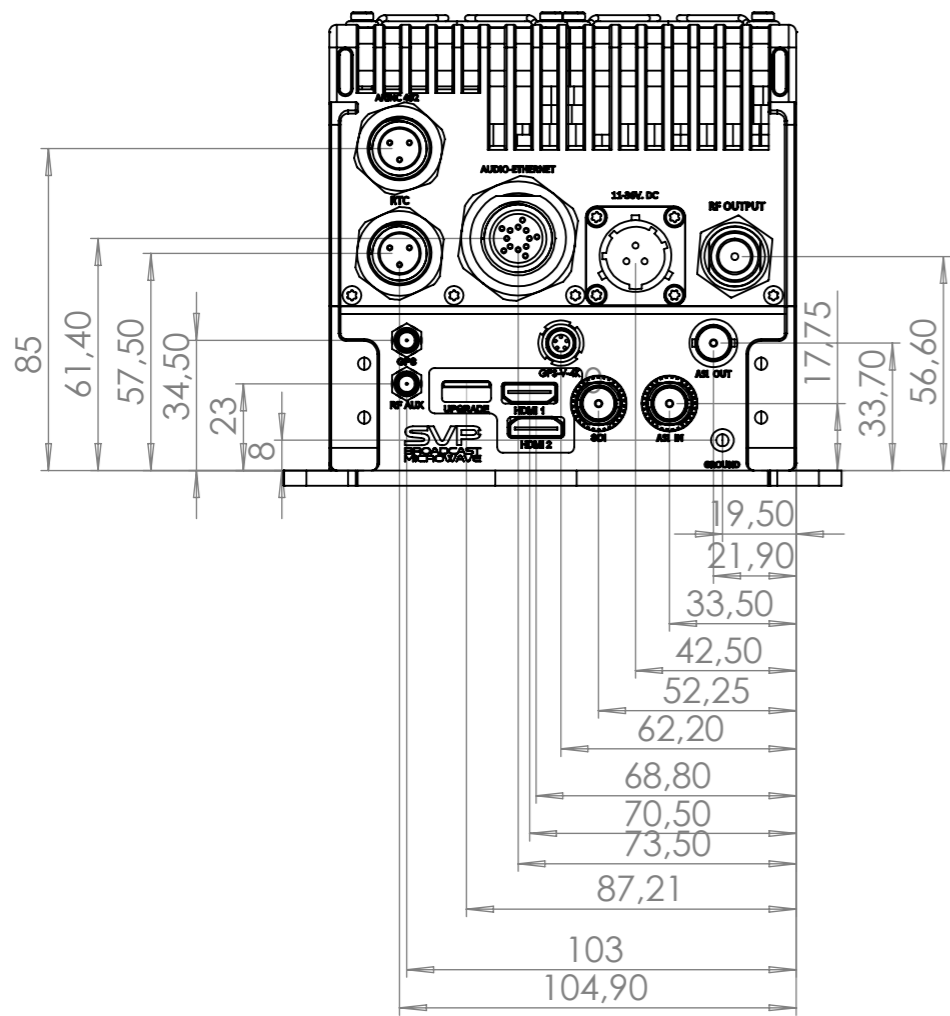
	NAME	DATE
DRAW	EC	23/02/2018
CHECKED	JAB	
MATERIAL		
FINISH		

Unspecified tolerances according to ISO-2768-mk
 - Dimensions in millimeter
 - Angles in degree
 - Tolerances ±0,5°

SVP
 BROADCAST
 MICROWAVE

P/N:
HDT-04_v9.7

ESCALE:1:2 WEIGHT: A3



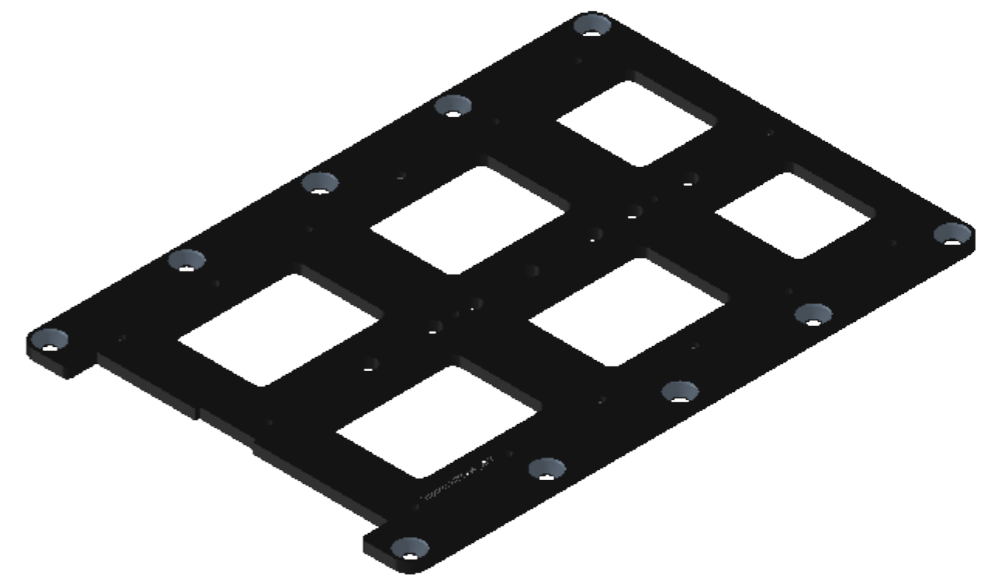
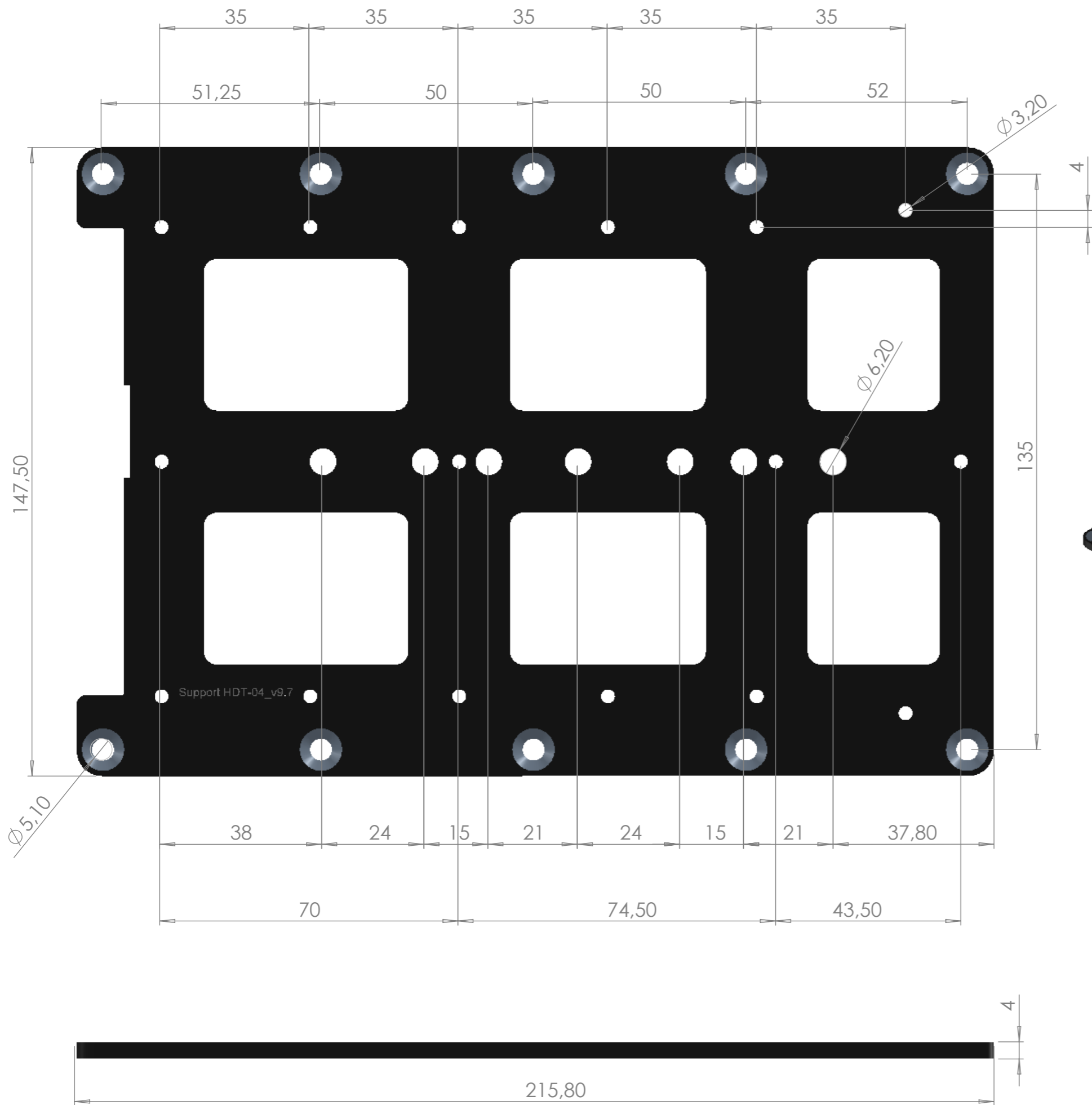
	NAME	DATE
DRAW	EC	23/02/2018
CHECKED	JAB	
MATERIAL		
FINISH		

Unspecified tolerances according to ISO-2768-mk
 - Dimensions in millimeter
 - Angles in degree
 - Tolerances ±0,5°

SVP
 BROADCAST
 MICROWAVE

P/N:
HDT-04_v9.7

ESCALE:1:2 WEIGHT: A3



	NAME	DATE		
DRAW	EC	23/02/2018		
CHECKED	JAB		ESCALE:1:1 WEIGHT: A3	
MATERIAL				
FINISH				