

AC Up-Down Patch Antenna

The AC- is an up-down circular polarization patch antenna. It is commonly used in up and downlinks to/from aircrafts.

The AC antenna is small size and has a reduced weight with minimal wind resistance which make this antenna perfect for aircraft installation.

Circular polarization antennas are especially interesting for multipath environments and in motion links.

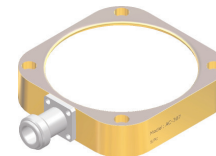
The AC antenna is very sturdy and can work in extreme weather conditions. It is made of aluminium.



AC - 107



AC - 207

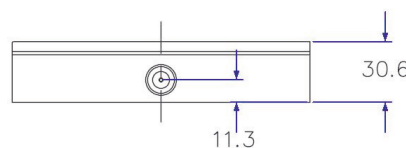
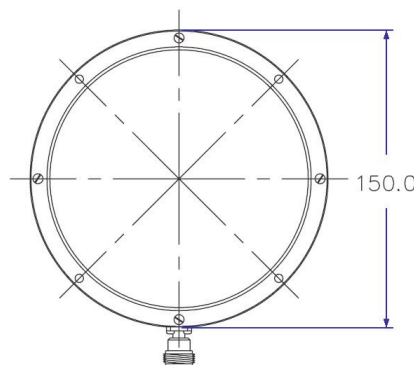


AC - 307, AC - 407 & AC-507

Characteristics

AC - 107

- Frequency band**
1,35 to 1,55 GHz
- Gain**
7 dBiC nominal
- Radiation pattern**
80° x 80° (Upwards)
- Polarization**
R.H. Circular
- Bandwidth**
200 MHz
- VSWR**
<1.5
- Connector**
N female
- Input impedance**
50 Ohm
- Size**
Ø 150 x 30,6 mm
- Temperature range**
-20 to +50 °C
- Order Information:**
AC-107



AC - 107 Dimensions

AC - 207

- Frequency band**
2 GHz
- Gain**
7 dBiC Nominal
- Radiation pattern**
80° x 80° (Upwards)
- Polarization**
R.H. Circular
- Bandwidth**
500 MHz
- VSWR**
<1.5
- Connector**
N female
- Input impedance**
50 Ohm
- Size**
Ø 85 x 20 mm
- Temperature range**
-20 to +50 °C
- Order Information:**
AC-207

AC Up-Down Patch Antenna

AC - 307

Frequency band

3,3 to 3,75 GHz

Gain

7 dBiC nominal

Radiation pattern

80° x 80° (Upwards)

Polarization

R.H. Circular

Bandwidth

400 MHz

VSWR

<1.5

Connector

N female

Input impedance

50 Ohm

Size

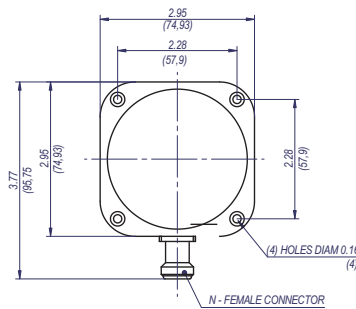
95,75 x 17,5 x 74,93 mm (LxHxW)

Temperature range

-20 to +50 °C

Order Information:

AC-307



AC - 307, AC - 407 & AC-507
Dimensions

AC - 407

Frequency band

4,4 to 5,1 GHz

Gain

7dBiC nominal

Radiation pattern

80° x 80° (Upwards)

Polarization

R.H. Circular

Bandwidth

700 MHz

VSWR

<1.5

Connector

N female

Input impedance

50 Ohm

Size

95,75 x 17,5 x 74,93 mm (LxHxW)

Temperature range

-20 to +50 °C

Order Information:

AC-407

AC - 507

Frequency band

5,0 to 5,5 GHz

Gain

7 dBiC nominal

Radiation pattern

80° x 80° (Upwards)

Polarization

R.H. Circular

Bandwidth

500 MHz

VSWR

<1.5

Connector

N female

Input impedance

50 Ohm

Size

95,75 x 17,5 x 74,93 mm (LxHxW)

Temperature range

-20 to +50°C

Order Information:

AC-507