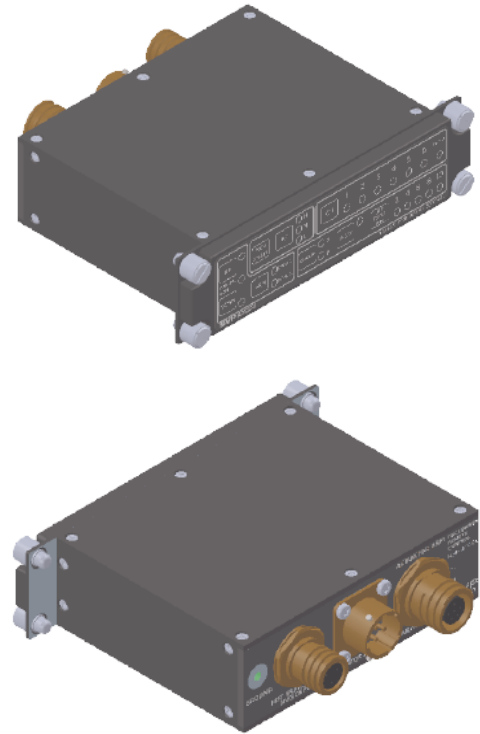


Remote Control

The RTC-02 is a compact lightweight remote control for SVP Broadcast Microwave systems. It can control the HDT-02 and HDT-04 transmitters.

The configuration and the control of the equipment can be carried out easily using the RTC-02. Its front panel consists on several buttons which allow the user to establish important features such as the RF power level, the actuator arm state (up/down), the encryption, the output bitrate, the channeling, group selection and power ON/OFF functionalities.

This equipment is especially useful in applications where air transmitters HDT-02 or HDT-04 are mounted away from the operator and the parameters can't be modified from the front panel.



Characteristics

Standard Size

Width: 147mm, Depth: 103mm, Height: 38.12mm

Weight

< 400 g

Panel Fasteners

DZUS (x4)

Equipment Control Connector Type

MIL-DTL-38999 Series 3

D38999/24

Actuator and Altimeter Control Connector Type

MIL-DTL-38999 Series 3

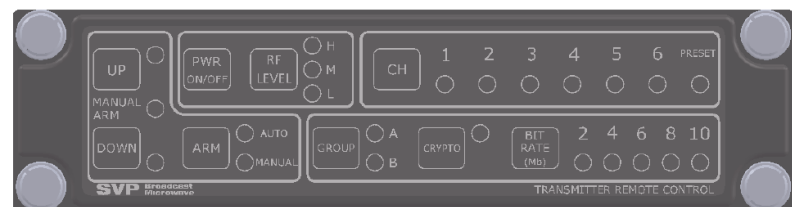
D38999/24

Actuator Power Supply Input Connector

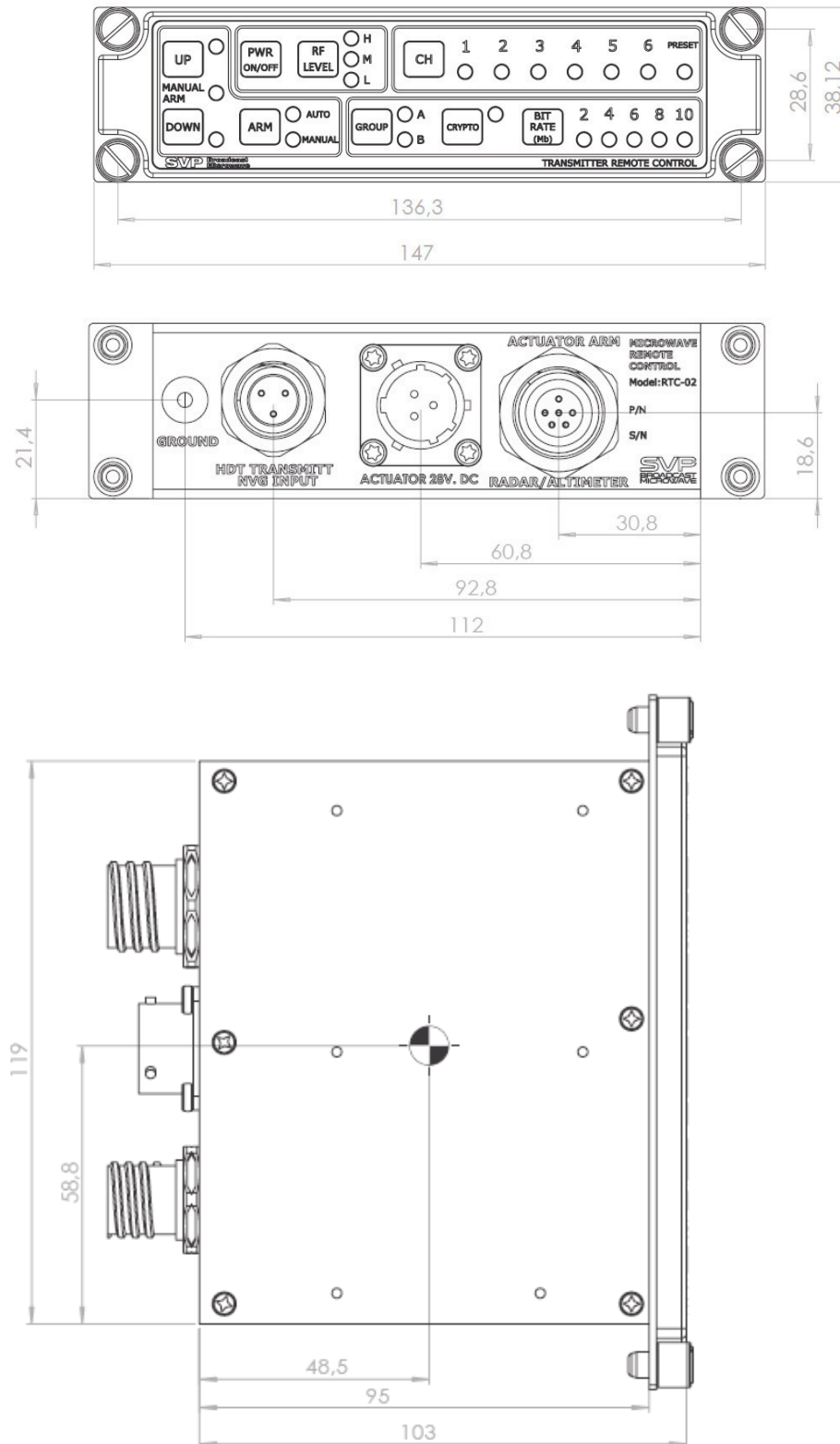
Souriau 851-02E123P50

Functions

- RF Power Level Control
- Power ON/OFF
- Actuator control UP/DOWN
- Group Selection
- Encryption ON/OFF
- Channel Selection
- Output Bitrate Selection



Mechanical Dimensions



Design and specifications are subject to changes without prior notice. 10/17