

AMS-506 Multi-Sector Switch Antenna

The AMS-506 is a multisector antenna, which has been developed by SVP Broadcast Microwave. This is a very compact, robust and easy-to-install solution for applications where hemispherical coverage with high gain is needed.

This antenna is formed of 5 sector panel antennas to offer an omnidirectional coverage. It also has an up antenna which allows hemispherical coverage.

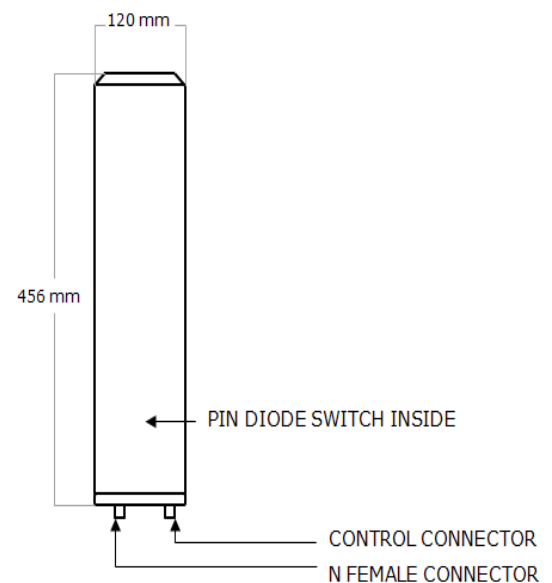
The AMS-506 antenna integrates the PIN diode switch. It has an N-female connector and a control connector which is controlled by the receiver with the autotracking option. At the N connector output it offers the RF signal.

This antenna has been designed to be used as a transmitter and as a receiver in a wide variety of applications.

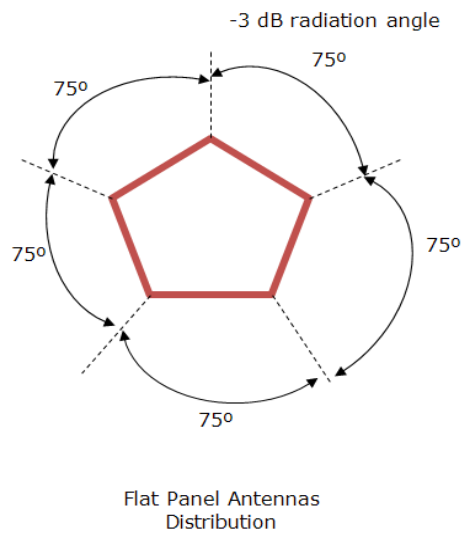
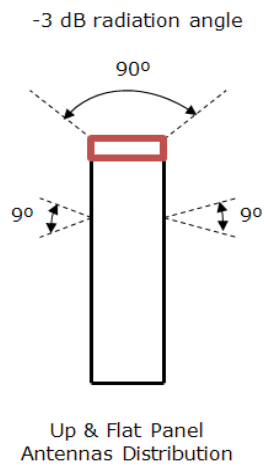
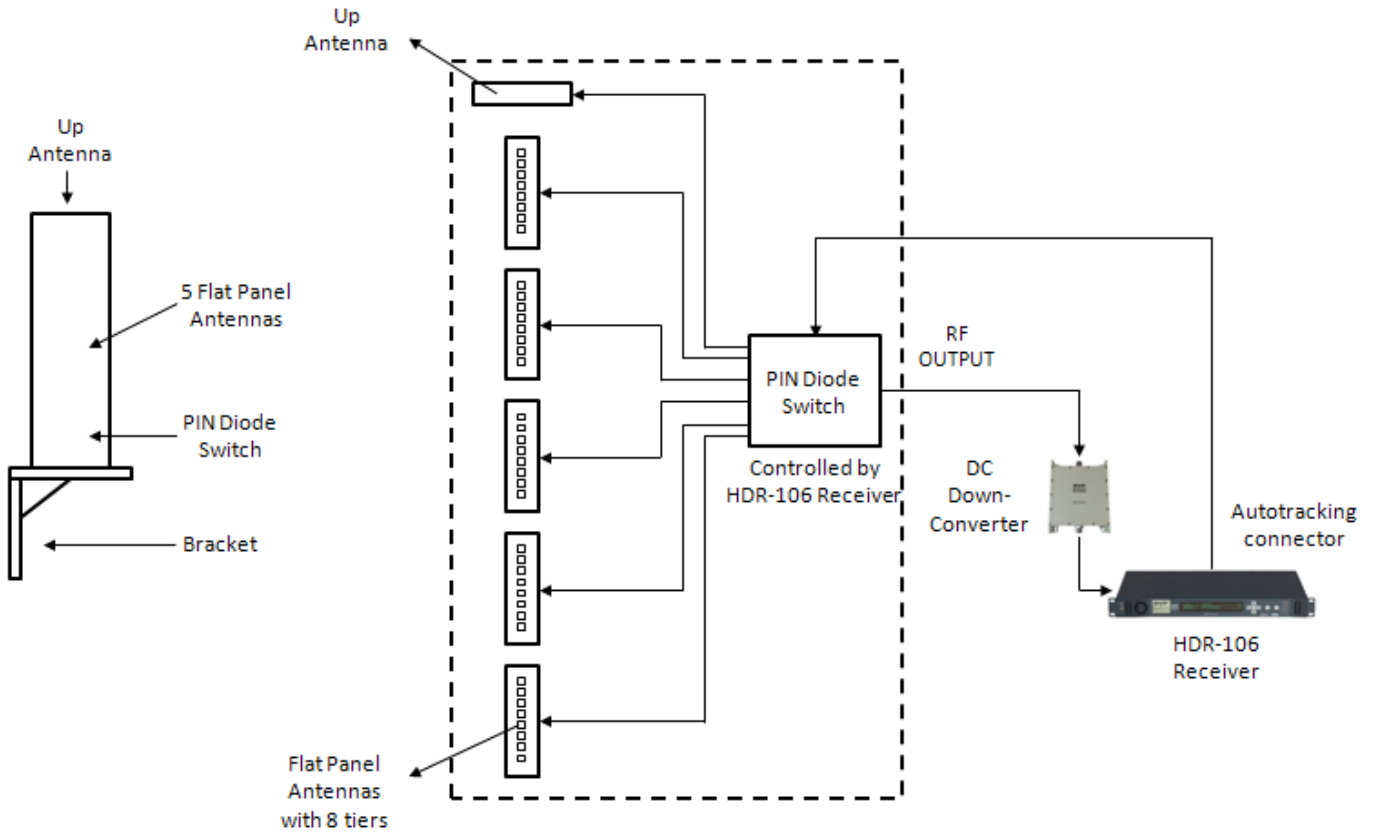


Characteristics

Frequency	5.0 to 5.4 GHz
Gain	Panel antenna: 16.5 dBi Up-down antenna: 5 dBi
Elevation beamwidth	9°
Azimuth beamwidth	75° (x5)
Polarization	5 Panel antennas: Vertical 1 Up antenna: RHCP
Diameter	120 mm (max)
Length	456 mm
Weight	5.6 Kg
RF Connector	N female
RF Connector	Bayonet 8 pin male (ITT KPT_ 02E12-8P)
P/N	AMS-506-5054
Mount	Stainless steel bracket and U bolts



Schematic & Planes



Connections

AMS wiring

Cable Connector : Bayonet 8 pin female

Antenna Connector: Bayonet 8 pin male

PIN:

A	Sector1
B	Sector 2
C	Sector 3
D	Sector 4
E	Sector 5
F	Uplook
G	Ground
H	Ground

HDR wiring

Cable Connector: Bayonet 19 pin male

Receiver Connector: Bayonet 19 pin female

PIN:

D	Sector 1
E	Sector 2
F	Sector 3
G	Sector 4
H	Sector 5
J	Uplook
S+T	Ground