

## AM-506 Multi-Sector Antenna

The AM-506 is a multisector antenna, which has been developed by SVP Broadcast Microwave. This is a very compact, robust and easy-to-install solution for applications where hemispherical coverage with high gain is needed.

The AM-506 antenna is formed of 5 vertical linear polarization sector panel antennas and one up-down antenna, which offer an omnidirectional coverage.

The AM-506 antenna integrates the bandpass filters and the down-converters. At the TNC connector outputs it offers the received signal filtered, amplified and converted to the UHF band.

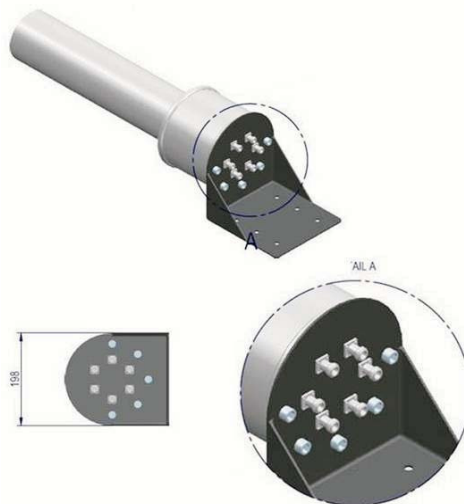
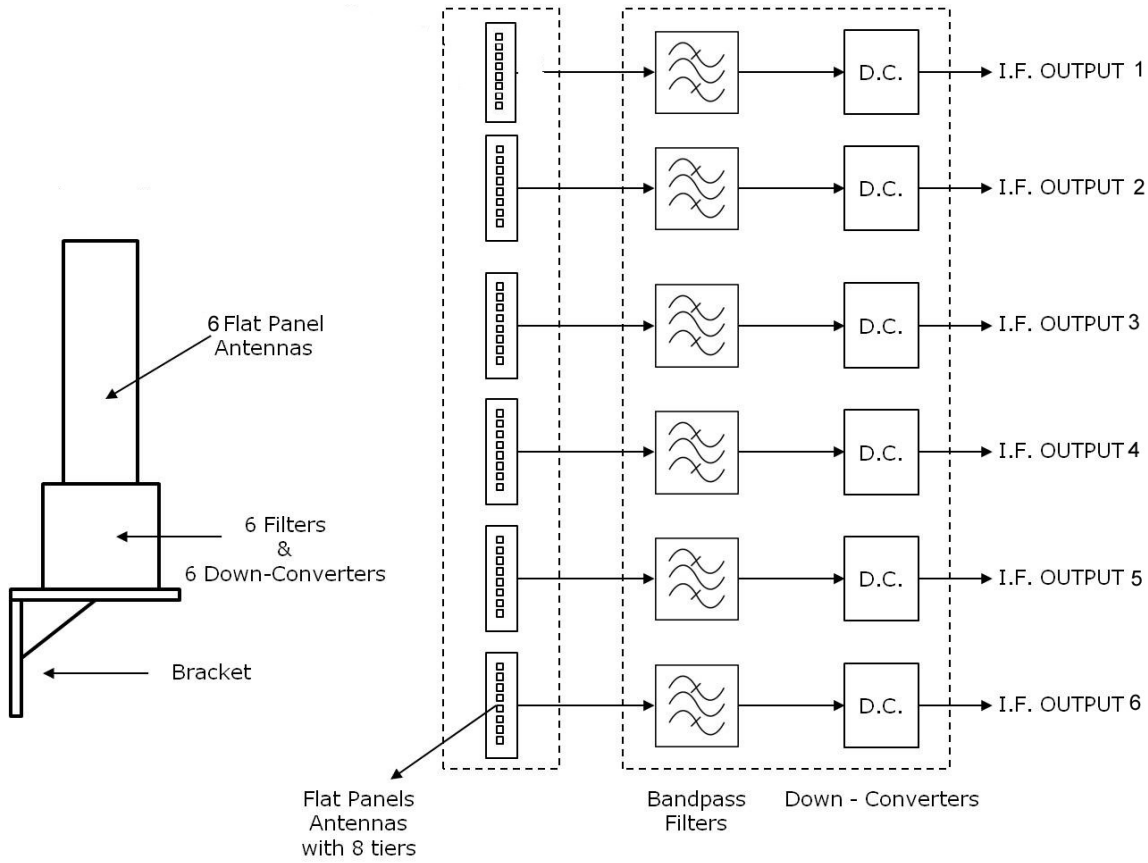
This antenna has been designed to be used in the receiver site in links with diversity 6 mode. It allows a fully coverage of 360 degrees.



## Characteristics

<b>Frequency</b>	5.0 to 5.4 GHz
<b>Gain</b>	Panel antenna: 16.5 dBi Up-down antenna: 5 dBi
<b>Elevation beamwidth</b>	9°
<b>Azimuth beamwidth</b>	75° (x5)
<b>Polarization</b>	5 Panel antennas: Vertical linear 1 Up antenna: RHCP
<b>Diameter</b>	198 mm (approx)
<b>Length</b>	633 mm (approx)
<b>Weight</b>	6.4 Kg (approx)
<b>Down-Converters</b>	Included 6 units
<b>Conversion Gain</b>	30 dB
<b>Noise Figure</b>	<1,5 dB
<b>Local Oscillator</b>	4,600 MHz
<b>Phase Noise</b>	-98 dBc/Hz @ 10 kHz
<b>Power Supply</b>	7 to 36 V
<b>Connector</b>	6xTNC female
<b>P/N</b>	AM-506-5054
<b>Mount</b>	Stainless steel bracket and U bolts

Schematic & Planes



Design and specifications are subject to changes without prior notice. 07/17