

AVC-203 Circular Polarization Omnidirectional Antenna

AV-203C is an omnidirectional circular polarization antenna which provides 3 dBiC gain on the horizon. This antenna is suitable to transmit signals from helicopters.

The vertical polarization pattern provides a null in boresight and maxima in the horizon, making it suitable for medium/long range links. The omnidirectional horizontal radiation pattern, makes possible to transmit the signal without the need to steer the antenna.

The low wind resistance and low weight make this antenna the best option for airborne applications.

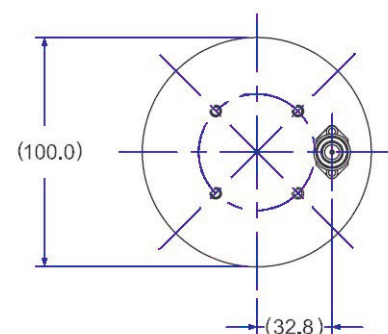
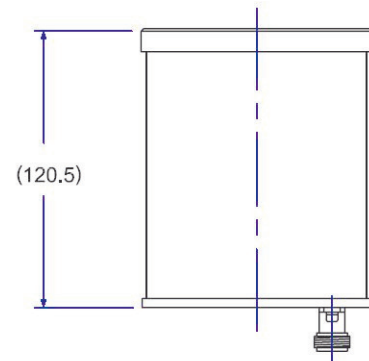
The circular polarization offers best performance in motion links and in multipath environments. Besides, the effect of signal reflections on the belly of the helicopter is minimized when circular polarization is used.

It can be installed in the fuselage of the helicopter or in an actuator arm, which is usually located in the skid of the helicopter.



Characteristics

Frequency band	1,9 to 2,7 GHz
Gain	3 dBiC
Polarization	RH Circular
Bandwidth	800 MHz
Beamwidth	60° V, 360° H
VSWR	<2:1 Max
Connector	N female
Temperature range	-40 to +70 °C
Size	120,5 x D 100 mm
Weight	0,5 kg
Power Rating	20 W
Radome	Glass Fibre
Colour	White



Design and specifications are subject to changes without prior notice. 05/15